
High Efficiency Motors



Motoring the
Wheels of Success



INTRODUCTION

RANGE

"Hindustan" motors are available from frame size 56 to 315 in 2, 4, 6 & 8 pole designs. The motors are suitable for continuous (S1) duty with ambient temperature of 45°C & Site altitudes of upto 1000 meters above mean sea level.

VOLTAGE & FREQUENCY

Motors are designed for 3 phase, 415v ± 10% & 50Hz ± 5% with combined variation of 10% Any other voltage & /or frequency is available on request.

STANDARDS

Motors conform to IS: 325, IEC 34, Part 1 & BS 4999 for electrical specifications & IS: 1231 for mechanical dimensions.

TERMINAL BOX POSITION

Standard location of the terminal box is on top. However for frame sizes 90 to 315, the terminal box on right or left side can be provided on request. The terminal box can be rotated in steps of 90° in each position.

PROTECTION

The motors are designed with class F insulation & IP55 degree of protection as per IS: 4691 & IEC34, Part 5.

CONNECTION

Motors upto 2 HP are star connected with 3 leads & from 3 HP onwards they are delta connected with 6 leads.

TORQUE CHARACTERISTICS

The nominal torque of the motor T_N is the torque developed by the motor at rated speed n , while delivering the rated power P . The relationship between these three parameters is

$$T_N = 9550 \times [P/n] \text{ (Nm)}$$

Where P = Power (kW)
 n = motor speed (rpm)

Alternatively, torque T_N in kgm can be given as

$$T_N = 974 \times [P/n] \text{ (kgm)}$$

MOMENT OF INERTIA

The moment of inertia J is given in kgm^2 . The moment of inertia is numerically equal to $\frac{1}{4} GD^2$. The Load moment of inertia J_L of the driven machine at rated speed n_L when referred to motor speed n rpm is given by

$$J = J_L [n_L / n]^2$$

NOISE

Motors are designed for low noise levels in accordance with IS: 12065.

COOLING

Type of cooling is IC 0141 in accordance with IS: 6362. All motors are fitted with external bi-directional cooling fan.

BEARING ARRANGEMENT

Frames upto 180L have sealed bearings which are lubricated for life. Frames 200L & above have regreasing arrangement as a standard feature.

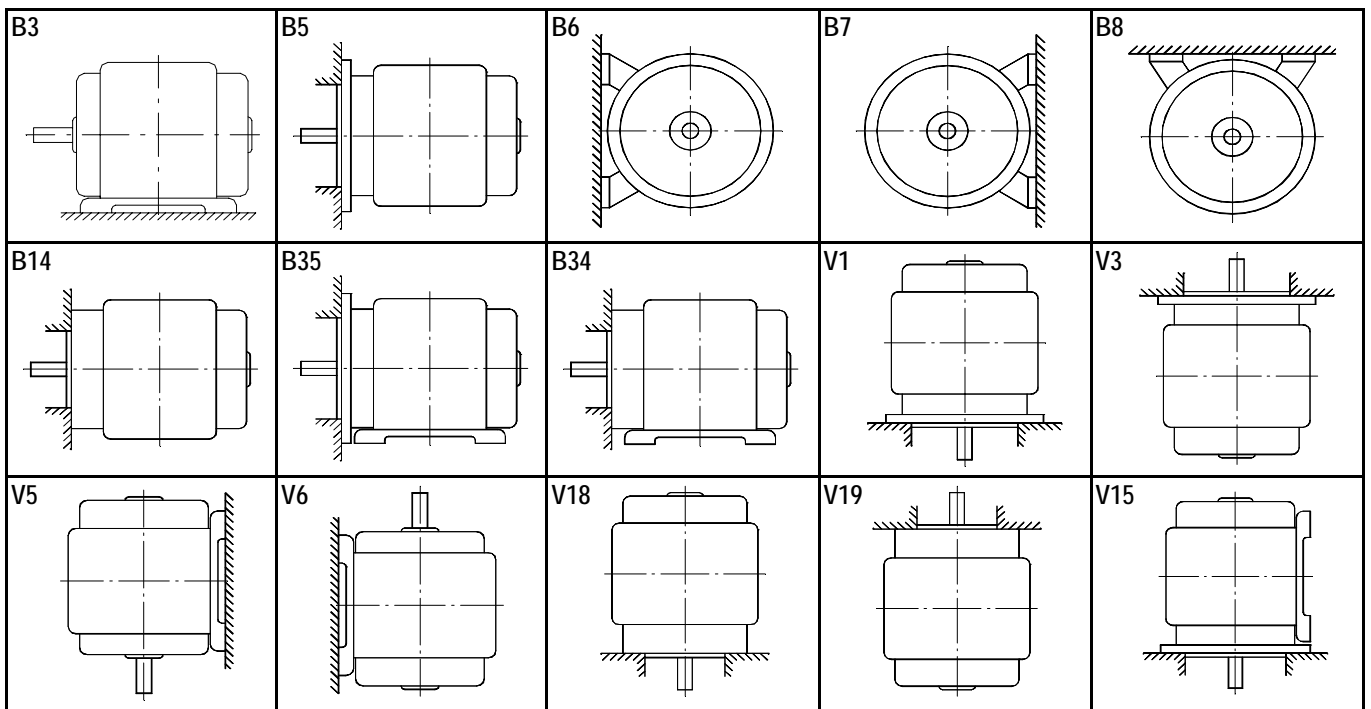
Frame Size	Driving End	Non-Driving End	Regreasing Time (hrs)	
			2 pole	4, 6, 8 pole
56	6200ZZ	6200ZZ	-	-
63	6201ZZ	6201ZZ	-	-
71	6202ZZ	6202ZZ	-	-
80	6204ZZ	6204ZZ	-	-
90S/L	6205ZZ	6205ZZ	-	-
100L	6206ZZ	6206ZZ	-	-
112M	6206ZZ	6206ZZ	-	-
132S/M	6208ZZ	6208ZZ	-	-
160M/L	6309ZZ	6209ZZ	-	-
180M/L	6310ZZ	6210ZZ	-	-
200L	6312	6312	3,500	8,000
225S/M	6313	6313	3,500	8,000
250M	6315	6315	2,500	6,000
280S/M	6317	6317	2,000	5,000
315S/M/L	6319	6319	2,000	4,000
355S/M/L	6322	6322	2,000	3,000

MAXIMUM CABLE SIZE OF STANDARD MOTOR

Frame Size	Cable Entry size	Max. Cable Size DOL starting	Max. Cable Size Star-Delta starting	Terminal Stud size
56-71	1 x 3/4"	3C x 2.5mm ²	-	M4
80-90	1 x 3/4"	3C x 4mm ²	-	M4
100-132	2 x 1"	3C x 10mm ²	2 x 3C x 10mm ²	M5
160-180	2 x 1"	3C x 35mm ²	2 x 3C x 25mm ²	M6
200-250	2 x 2", 1 x 3/4"	3C x 120mm ²	2 x 3C x 70mm ²	M8
280-315	2 x 2"	3C x 240mm ²	2 x 3C x 150mm ²	M12
355	2 x 3", 2 x 1"	3C x 400mm ²	2 x 3C x 300mm ²	M16

Equivalent metric & Pg threadings can also be provided on request.

MOUNTING POSITIONS



MOTOR WEIGHTS & SHIPPING DIMENSIONS

Frame Size	Nett Wt. (kg)				Packing Wt. (kg)	Shipping Dimensions LxWxH (mm)
	2	4	6	8		
56	3	3	-	-	1	250 x 184 x 235
63	5	5	-	-	1	250 x 184 x 235
63	6	6	-	-	1	250 x 184 x 235
71	8	8	8	8	2	285 x 190 x 238
71	9	9	9	9	2	285 x 190 x 238
80	13	13	12	12	2	320 x 210 x 265
80	14	14	13	13	2	320 x 210 x 265
90S	19	18	18	18	3	365 x 280 x 315
90L	22	20	20	20	3	365 x 280 x 315
100L	30	28	28	26	4	420 x 315 x 380
100L	-	-	-	29	4	420 x 315 x 380
112M	40	39	39	39	6	460 x 335 x 440
132S	58	57	58	58	7	585 x 380 x 490
132M	65	64	66	66	7	585 x 380 x 490
160M	95	94	-	-	12	790 x 410 x 585
160M	102	100	98	98	12	790 x 410 x 585
160L	-	-	123	-	12	790 x 410 x 585
160L	120	118	123	123	12	790 x 410 x 585
180M	155	149	-	152	19	865 x 430 x 585
180L	-	166	165	165	19	865 x 430 x 585
200L	228	-	223	-	25	980 x 495 x 680
200L	246	242	242	242	25	980 x 495 x 680
225S	-	325	-	325	36	1020 x 535 x 795
225M	365	359	357	357	36	1020 x 535 x 795
250M	369	390	390	390	37	1090 x 600 x 830
280S	555	570	552	570	60	1320 x 725 x 935
280M	576	590	580	590	60	1320 x 725 x 935
315S	750	764	750	750	80	1400 x 955 x 1035
315M	780	800	780	780	80	1400 x 955 x 1035
315M	-	810	-	-	80	1400 x 955 x 1035
315L	930	950	930	930	95	1580 x 955 x 1035
315L	965	1000	960	960	95	1580 x 955 x 1035
315L	-	-	985	-	95	1580 x 955 x 1035
355S	1630	1670	1660	1670	280	1800 x 1020 x 1250
355M	1710	1740	1830	1760	280	1800 x 1020 x 1250
355L	1790	1840	1920	1920	280	1800 x 1020 x 1250
355L	1900	1980	2020	2020	280	1800 x 1020 x 1250

ELECTRICAL PERFORMANCE



2 POLE MOTOR

Frame Size	Type Designation	Output		Speed (rpm)	Current (A)	Torque (kgm)	Efficiency %			Power Factor			STA	STT	POT	GD ² (kgm ²)
		KW	HP				FL	3/4L	1/2L	FL	3/4L	1/2L				
56	2HS1 050-02	0.093	0.125	2720	0.36	0.03	60.0	57.0	50.0	0.60	0.52	0.40	4.0	2.0	2.3	0.0003
56	2HS1 053-02	0.12	0.16	2750	0.45	0.04	62.0	60.0	54.0	0.60	0.52	0.40	4.0	2.0	2.3	0.0003
63	2HS1 060-02	0.18	0.25	2780	0.50	0.06	65.0	65.0	58.0	0.77	0.71	0.57	4.7	2.0	2.3	0.0009
63	2HS1 063-02	0.25	0.33	2790	0.67	0.09	66.0	66.0	60.0	0.79	0.69	0.57	4.7	2.0	2.3	0.0010
71	2HS1 070-02	0.37	0.50	2790	0.91	0.13	67.0	66.0	61.0	0.84	0.78	0.68	4.7	2.4	2.7	0.0016
71	2HS1 073-02	0.55	0.75	2815	1.25	0.19	72.5	72.0	64.0	0.84	0.79	0.71	4.7	2.4	2.7	0.0022
80	2HS1 080-02	0.75	1.0	2845	1.7	0.26	73.5	72.0	67.0	0.84	0.80	0.73	5.5	2.3	2.6	0.0038
80	2HS1 083-02	1.1	1.5	2850	2.3	0.38	77.0	74.0	70.0	0.86	0.82	0.75	5.5	2.3	2.6	0.0049
90S	2HS1 090-02	1.5	2.0	2860	3.1	0.51	78.5	75.0	68.0	0.86	0.77	0.61	6.0	2.5	3.0	0.0072
90L	2HS1 096-02	2.2	3.0	2880	4.3	0.74	81.0	78.5	72.5	0.88	0.80	0.70	6.0	2.5	3.0	0.0093
100L	2HS1 106-02	3.7	5.0	2900	7.1	1.24	84.0	84.0	82.0	0.86	0.83	0.75	6.0	2.5	3.0	0.0130
112M	2HS1 123-02	5.5	7.5	2905	10.0	1.84	85.7	85.7	82.0	0.89	0.86	0.78	6.0	2.5	3.0	0.0198
132S	2HS1 130-02	7.5	10.0	2910	13.3	2.51	87.0	86.0	84.0	0.90	0.87	0.81	6.0	2.3	2.8	0.0583
132M	2HS1 133-02	9.3	12.5	2915	16.4	3.11	87.0	87.0	85.0	0.91	0.87	0.81	6.0	2.3	2.8	0.0716
160M	2HS1 163-02	11.0	15.0	2920	20.0	3.67	88.5	87.5	85.5	0.86	0.84	0.79	6.5	2.2	2.5	0.1077
160M	2HS1 164-02	15.0	20.0	2925	26.5	4.99	89.5	88.5	86.0	0.88	0.86	0.80	6.5	2.2	2.5	0.1301
160L	2HS1 166-02	18.5	25.0	2930	32.0	6.15	90.0	89.5	87.0	0.89	0.86	0.81	6.5	2.2	2.5	0.1705
180M	2HS1 183-02	22.0	30.0	2935	37.0	7.30	91.0	90.0	88.0	0.91	0.87	0.81	6.5	2.2	2.5	0.3222
200L	2HS1 206-02	30.0	40.0	2950	51.0	9.91	91.5	91.0	90.0	0.89	0.87	0.82	6.5	2.2	2.5	0.4468
200L	2HS1 207-02	37.0	50.0	2950	62.0	12.22	92.0	92.0	91.0	0.90	0.88	0.83	6.5	2.2	2.5	0.5257
225M	2HS1 223-02	45.0	60.0	2955	74.0	14.83	92.5	92.5	91.5	0.91	0.89	0.85	6.5	2.2	2.5	0.7682
250M	2HS1 253-02	55.0	75.0	2965	91.0	18.07	93.0	92.5	91.0	0.90	0.88	0.84	6.5	2.2	2.5	1.0690
280S	2HS1 280-02	75.0	100.0	2975	124.0	24.55	93.5	93.0	92.0	0.90	0.87	0.83	6.5	2.2	2.5	2.5414
280M	2HS1 283-02	90.0	120.0	2975	148.0	29.47	94.0	93.5	92.5	0.90	0.87	0.83	6.5	2.2	2.5	2.9368
315S	2HS1 310-02	110.0	150.0	2980	180.0	35.95	94.0	93.5	92.5	0.90	0.87	0.83	6.5	2.2	2.5	3.9194
315M	2HS1 313-02	132.0	180.0	2980	212.0	43.14	94.5	94.0	93.0	0.92	0.89	0.85	6.5	2.2	2.5	4.6393
315L	2HS1 316-02	160.0	215.0	2985	253.0	52.21	95.0	94.5	93.5	0.93	0.90	0.86	6.5	2.2	2.5	5.5991
315L	2HS1 317-02	200.0	270.0	2985	313.0	65.26	95.0	94.5	93.5	0.94	0.90	0.86	6.5	2.2	2.5	7.0389
355S	2HS1 350-02	225.0	300.0	2985	355.0	73.42	95.5	95.0	94.0	0.92	0.90	0.86	6.5	1.8	2.5	8.9735
355M	2HS1 353-02	250.0	335.0	2985	395.0	81.57	95.5	95.0	94.0	0.92	0.90	0.86	6.5	1.8	2.5	10.0292
355L	2HS1 356-02	275.0	370.0	2985	430.0	89.73	96.2	96.2	95.2	0.92	0.90	0.86	6.5	1.8	2.5	11.0849
355L	2HS1 357-02	315.0	425.0	2985	495.0	102.78	96.2	96.2	95.2	0.92	0.90	0.86	6.5	1.8	2.5	12.6685

ELECTRICAL PERFORMANCE



4 POLE MOTOR

Frame Size	Type Designation	Output		Speed (rpm)	Current (A)	Torque (kgm)	Efficiency %			Power Factor			STA	STT	POT	GD ² (kgm ²)
		KW	HP				FL	3/4L	1/2L	FL	3/4L	1/2L				
56	2HS1 050-04	0.093	0.125	1340	0.42	0.07	53.0	50.0	41.0	0.58	0.49	0.40	3.5	1.9	2.1	0.0006
56	2HS1 053-04	0.12	0.16	1350	0.52	0.09	56.0	52.0	43.0	0.57	0.48	0.40	3.5	1.9	2.1	0.0006
63	2HS1 063-04	0.18	0.25	1360	0.57	0.13	60.0	53.0	38.0	0.73	0.58	0.45	3.5	1.9	2.1	0.0010
71	2HS1 070-04	0.25	0.33	1370	0.76	0.18	62.0	61.0	53.0	0.74	0.63	0.47	3.5	1.9	2.1	0.0016
71	2HS1 073-04	0.37	0.50	1380	1.05	0.26	66.0	65.0	58.0	0.74	0.64	0.53	3.5	1.9	2.1	0.0022
80	2HS1 080-04	0.55	0.75	1410	1.45	0.38	73.0	72.0	69.0	0.72	0.62	0.52	4.3	2.0	2.3	0.0038
80	2HS1 083-04	0.75	1.0	1415	1.75	0.52	74.0	73.0	68.0	0.81	0.70	0.55	4.5	2.0	2.3	0.0049
90S	2HS1 090-04	1.1	1.5	1415	2.5	0.76	76.5	76.0	74.0	0.80	0.70	0.55	5.0	2.2	2.5	0.0072
90L	2HS1 096-04	1.5	2.0	1420	3.3	1.03	79.0	79.0	77.0	0.80	0.70	0.55	5.0	2.2	2.5	0.0093
100L	2HS1 106-04	2.2	3.0	1430	4.4	1.50	82.0	82.0	80.0	0.85	0.81	0.63	5.5	2.2	2.5	0.0182
100L	2HS1 107-04	3.0	4.0	1430	6.0	2.04	82.6	82.6	81.0	0.84	0.79	0.69	5.5	2.2	2.5	0.0237
112M	2HS1 123-04	3.7	5.0	1440	7.2	2.50	85.0	85.0	84.0	0.84	0.78	0.70	5.5	2.2	2.5	0.0342
132S	2HS1 130-04	5.5	7.5	1450	10.6	3.69	87.0	87.0	86.0	0.83	0.78	0.63	5.5	2.3	2.5	0.0676
132M	2HS1 133-04	7.5	10.0	1450	14.2	5.04	87.0	87.0	86.0	0.84	0.79	0.69	5.5	2.3	2.5	0.0912
160M	2HS1 163-04	9.3	12.5	1455	17.2	6.23	88.0	88.0	87.0	0.85	0.77	0.66	6.0	2.2	2.5	0.1404
160M	2HS1 164-04	11.0	15.0	1455	20.8	7.36	89.0	89.0	87.0	0.83	0.75	0.66	6.0	2.2	2.5	0.1696
160L	2HS1 166-04	15.0	20.0	1455	27.0	10.04	90.0	90.5	89.0	0.86	0.84	0.75	6.0	2.2	2.5	0.2222
180M	2HS1 183-04	18.5	25.0	1460	34.0	12.34	90.5	90.5	89.5	0.84	0.81	0.74	6.0	2.2	2.5	0.3222
180L	2HS1 186-04	22.0	30.0	1460	39.0	14.68	91.0	91.0	90.0	0.86	0.82	0.76	6.0	2.2	2.5	0.3790
200L	2HS1 206-04	30.0	40.0	1465	52.0	19.95	92.0	92.0	91.0	0.87	0.84	0.77	6.0	2.2	2.5	0.8066
225SX	2HS1 220-04	37.0	50.0	1470	64.0	24.52	92.5	92.5	91.5	0.87	0.85	0.79	6.0	2.2	2.5	1.2224
225MX	2HS1 223-04	45.0	60.0	1475	77.0	29.72	93.0	93.0	92.0	0.87	0.85	0.79	6.0	2.2	2.5	1.4552
250MX	2HS1 253-04	55.0	75.0	1480	92.0	36.20	94.0	94.0	93.0	0.88	0.87	0.82	6.0	2.2	2.5	2.2563
280SX	2HS1 280-04	75.0	100.0	1482	130.0	49.29	94.0	94.0	93.0	0.85	0.83	0.80	6.0	2.2	2.5	3.9994
280MX	2HS1 283-04	90.0	120.0	1482	155.0	59.15	94.5	94.5	93.5	0.85	0.83	0.80	6.0	2.2	2.5	4.7993
315SX	2HS1 310-04	110.0	150.0	1485	185.0	72.15	95.0	95.0	94.0	0.87	0.85	0.81	6.0	2.2	2.5	8.1503
315MX	2HS1 313-04	132.0	180.0	1485	223.0	86.58	95.2	95.2	94.5	0.87	0.85	0.81	6.0	2.2	2.5	9.7803
315LX	2HS1 316-04	160.0	215.0	1485	268.0	104.94	95.5	95.5	94.5	0.87	0.85	0.81	6.0	2.2	2.5	11.8549
315LX	2HS1 317-04	200.0	270.0	1485	334.0	131.18	95.5	95.5	94.5	0.87	0.85	0.81	6.0	2.2	2.5	14.8187
355SX	2HS1 350-04	225.0	300.0	1488	375.0	147.28	96.0	96.0	95.2	0.87	0.84	0.77	6.5	2.0	2.4	12.9372
355MX	2HS1 353-04	250.0	335.0	1488	416.0	163.64	96.0	96.0	95.2	0.87	0.84	0.77	6.5	2.0	2.4	14.2641
355LX	2HS1 356-04	275.0	370.0	1488	454.0	180.01	96.2	96.2	95.5	0.88	0.86	0.78	6.5	2.0	2.4	16.2545
355LX	2HS1 357-04	315.0	425.0	1488	515.0	206.19	96.2	96.2	95.5	0.88	0.86	0.78	6.5	2.0	2.4	19.2400

ELECTRICAL PERFORMANCE



6 POLE MOTOR

Frame Size	Type Designation	Output		Speed (rpm)	Current (A)	Torque (kgm)	Efficiency %			Power Factor			STA	STT	POT	GD ² (kgm ²)
		KW	HP				FL	3/4L	1/2L	FL	3/4L	1/2L				
71	2HS1 070-06	0.093	0.125	870	0.45	0.10	52.0	49.0	40.0	0.55	0.44	0.33	3.0	2.0	2.1	0.0024
71	2HS1 071-06	0.12	0.16	880	0.55	0.13	55.0	52.0	41.0	0.55	0.45	0.34	3.0	2.0	2.1	0.0024
71	2HS1 073-06	0.18	0.25	900	0.65	0.19	60.0	55.0	42.0	0.64	0.55	0.38	3.0	2.0	2.1	0.0033
71	2HS1 074-06	0.25	0.33	905	0.85	0.27	64.0	59.0	44.0	0.64	0.55	0.38	3.0	2.0	2.1	0.0033
80	2HS1 080-06	0.37	0.50	915	1.10	0.39	67.0	66.0	63.0	0.70	0.63	0.51	4.0	2.0	2.1	0.0049
80	2HS1 083-06	0.55	0.75	920	1.55	0.58	70.0	69.0	66.0	0.71	0.63	0.51	4.0	2.0	2.1	0.0063
90S	2HS1 090-06	0.75	1.0	925	2.0	0.79	72.0	71.0	66.0	0.72	0.64	0.52	5.0	2.2	2.4	0.0095
90L	2HS1 096-06	1.1	1.5	930	2.9	1.15	75.0	74.0	69.0	0.70	0.58	0.42	5.0	2.2	2.4	0.0122
100L	2HS1 106-06	1.5	2.0	940	3.5	1.55	76.0	75.0	71.0	0.78	0.73	0.60	5.0	2.0	2.3	0.0269
112M	2HS1 123-06	2.2	3.0	945	4.9	2.27	80.0	79.5	75.5	0.78	0.70	0.55	5.0	2.0	2.3	0.0047
132S	2HS1 130-06	3.7	5.0	950	7.5	3.79	82.5	82.5	81.5	0.83	0.73	0.64	5.0	2.0	2.3	0.0826
132M	2HS1 133-06	5.5	7.5	950	11.0	5.64	85.0	85.0	83.5	0.82	0.77	0.67	5.0	2.0	2.3	0.1156
160M	2HS1 163-06	7.5	10.0	960	15.0	7.61	87.0	87.0	84.5	0.80	0.76	0.68	5.5	2.0	2.3	0.2625
160L	2HS1 166-06	9.3	12.5	965	17.5	9.39	88.0	88.0	85.0	0.84	0.81	0.70	5.5	2.0	2.3	0.3440
160L	2HS1 167-06	11.0	15.0	970	20.5	11.05	88.5	88.5	87.5	0.84	0.81	0.70	5.5	2.0	2.3	0.3440
180L	2HS1 186-06	15.0	20.0	970	27.5	15.06	89.5	89.5	88.0	0.85	0.82	0.72	5.5	2.0	2.3	0.5949
200L	2HS1 206-06	18.5	25.0	975	34.0	18.48	90.5	90.5	89.0	0.84	0.82	0.73	5.5	2.0	2.3	0.8605
200L	2HS1 207-06	22.0	30.0	975	40.0	21.98	91.0	91.0	90.5	0.84	0.82	0.73	5.5	2.0	2.3	1.0123
225MX	2HS1 223-06	30.0	40.0	980	54.0	29.82	92.0	92.0	90.5	0.84	0.82	0.74	6.0	2.0	2.3	1.8378
250MX	2HS1 253-06	37.0	50.0	982	66.5	36.70	92.5	92.5	90.5	0.84	0.82	0.74	6.0	2.0	2.3	2.5127
280SX	2HS1 280-06	45.0	60.0	983	79.0	44.59	93.0	93.0	92.0	0.85	0.83	0.75	6.0	2.1	2.4	4.3751
280MX	2HS1 283-06	55.0	75.0	983	96.0	54.50	93.0	93.0	92.0	0.86	0.84	0.76	6.0	2.1	2.4	5.2502
315SX	2HS1 310-06	75.0	100.0	987	131.0	74.01	94.0	94.0	93.0	0.85	0.84	0.75	6.0	2.1	2.4	7.2611
315MX	2HS1 313-06	90.0	120.0	987	157.0	88.81	94.0	94.0	93.0	0.85	0.84	0.75	6.0	2.1	2.4	8.5948
315LX	2HS1 316-06	110.0	150.0	987	189.0	108.55	94.5	94.5	93.5	0.86	0.83	0.76	6.0	2.1	2.4	10.3137
315LX	2HS1 317-06	132.0	180.0	987	227.0	130.26	94.5	94.5	93.5	0.86	0.83	0.76	6.0	2.1	2.4	12.4477
355SX	2HS1 350-06	160.0	215.0	988	279.0	157.73	95.2	95.2	94.5	0.84	0.81	0.73	6.0	2.0	2.5	12.9372
355MX	2HS1 353-06	200.0	270.0	988	345.0	197.17	95.5	95.5	95.0	0.84	0.81	0.75	6.0	2.0	2.5	16.2545
355LX	2HS1 356-06	225.0	300.0	988	385.0	221.81	95.5	95.5	95.0	0.85	0.82	0.76	6.0	2.0	2.5	18.2448
355LX	2HS1 357-06	250.0	335.0	988	430.0	246.46	95.6	95.6	95.1	0.85	0.82	0.76	6.0	2.0	2.5	20.2352

ELECTRICAL PERFORMANCE

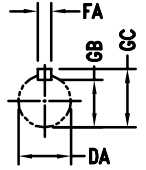
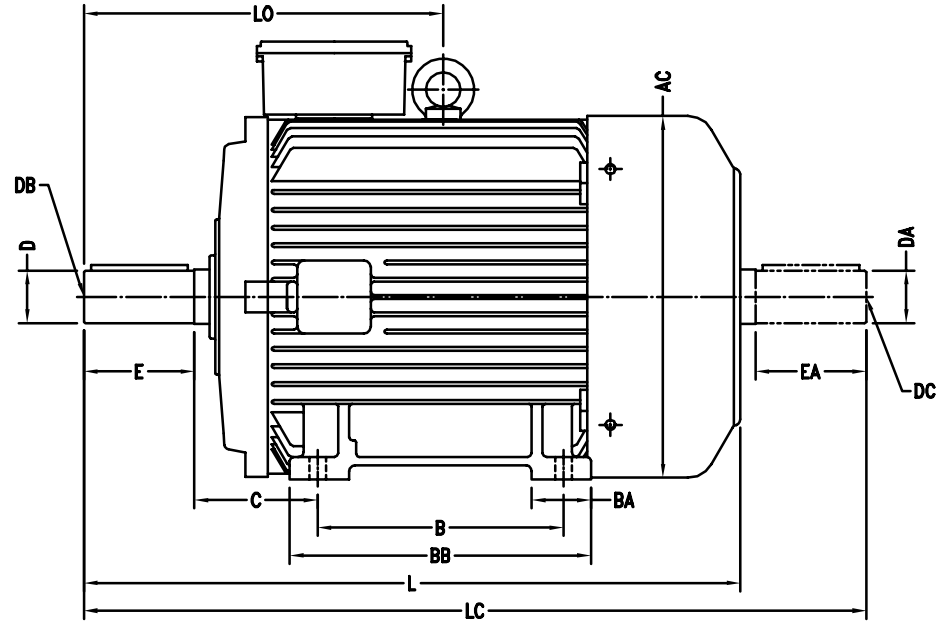
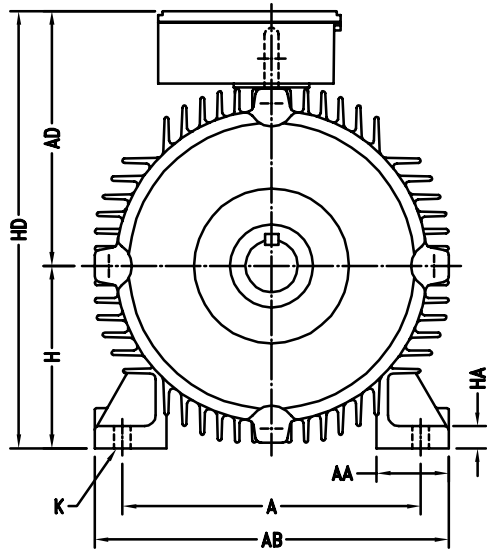
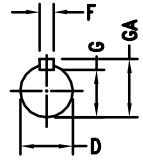


8 POLE MOTOR

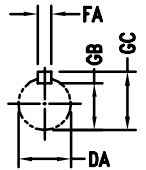
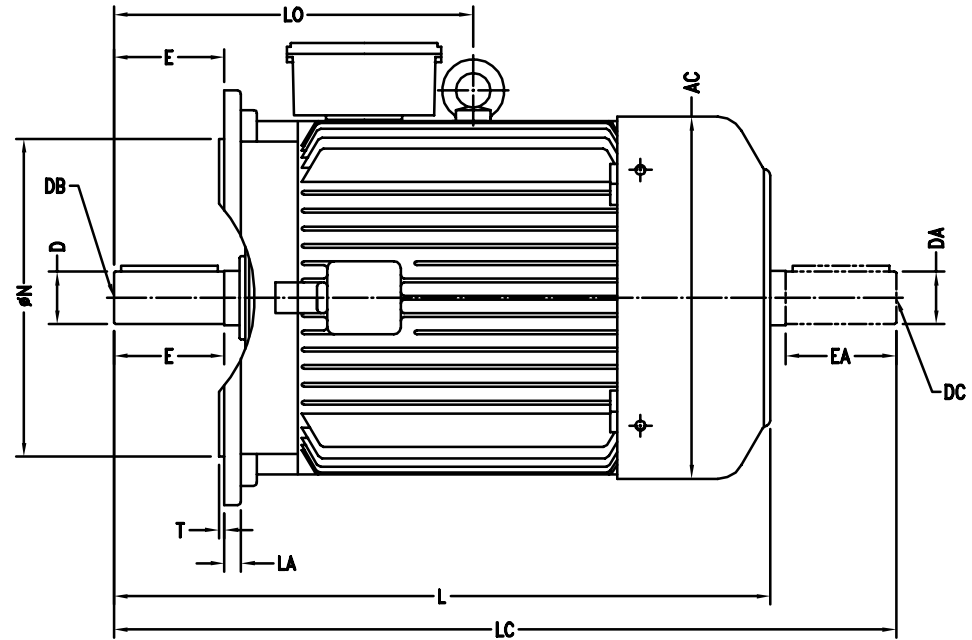
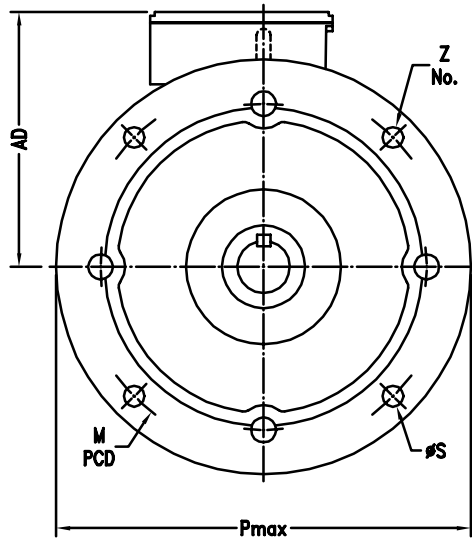
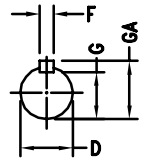
Frame Size	Type Designation	Output		Speed (rpm)	Current (A)	Torque (kgm)	Efficiency %			Power Factor			STA	STT	POT	GD ² (kgm ²)
		KW	HP				FL	3/4L	1/2L	FL	3/4L	1/2L				
71	2HS1 070-08	0.093	0.125	665	0.55	0.14	47.0	43.0	35.0	0.50	0.44	0.33	2.5	1.5	1.7	0.0024
71	2HS1 073-08	0.12	0.16	665	0.65	0.18	50.0	46.0	38.0	0.51	0.45	0.35	2.5	1.5	1.7	0.0033
80	2HS1 080-08	0.18	0.25	685	0.80	0.26	54.0	49.0	41.0	0.58	0.49	0.40	3.0	1.6	1.8	0.0049
80	2HS1 083-08	0.25	0.33	690	1.05	0.35	57.0	54.0	45.0	0.58	0.49	0.40	3.0	1.6	1.8	0.0063
90S	2HS1 090-08	0.37	0.50	690	1.30	0.52	64.0	62.0	55.0	0.62	0.53	0.43	3.5	1.7	1.9	0.0095
90L	2HS1 096-08	0.55	0.75	690	1.85	0.78	67.0	66.0	61.0	0.62	0.53	0.43	3.5	1.7	1.9	0.0122
100L	2HS1 106-08	0.75	1.0	700	2.1	1.04	72.0	71.0	66.0	0.69	0.59	0.46	4.0	1.8	2.0	0.0228
100L	2HS1 107-08	1.1	1.5	700	3.0	1.53	74.0	73.0	71.0	0.69	0.60	0.48	4.0	1.8	2.0	0.0296
112M	2HS1 123-08	1.5	2.0	705	3.9	2.07	77.0	77.0	74.0	0.69	0.64	0.51	4.0	1.9	2.1	0.0467
132S	2HS1 130-08	2.2	3.0	710	5.2	3.02	79.0	79.0	76.0	0.75	0.65	0.52	5.0	2.2	2.4	0.0826
132M	2HS1 133-08	3.7	5.0	710	8.6	5.08	81.0	81.0	79.0	0.74	0.65	0.52	5.0	2.2	2.4	0.1156
160M	2HS1 163-08	5.5	7.5	720	12.0	7.44	86.0	86.0	83.0	0.74	0.68	0.58	5.0	2.0	2.2	0.2565
160L	2HS1 166-08	7.5	10.0	720	15.7	10.15	87.0	87.0	85.0	0.76	0.71	0.58	5.0	2.0	2.2	0.3440
180M	2HS1 183-08	9.3	12.5	725	20.0	12.49	87.5	87.5	85.0	0.74	0.70	0.57	5.0	2.0	2.2	0.5057
180L	2HS1 186-08	11.0	15.0	725	24.0	14.78	88.0	88.0	85.0	0.72	0.68	0.55	5.0	2.0	2.2	0.5949
200L	2HS1 206-08	15.0	20.0	725	31.0	20.15	88.5	88.0	86.0	0.76	0.72	0.60	5.0	2.0	2.2	1.0123
225SX	2HS1 220-08	18.5	25.0	728	37.0	24.75	89.5	89.5	88.0	0.78	0.74	0.68	5.0	2.0	2.2	1.5437
225MX	2HS1 223-08	22.0	30.0	730	44.0	29.35	90.5	90.5	89.0	0.77	0.73	0.68	5.0	2.0	2.2	1.8378
250MX	2HS1 253-08	30.0	40.0	730	60.0	40.03	91.0	91.0	89.5	0.76	0.73	0.67	5.0	2.0	2.2	2.5127
280SX	2HS1 280-08	37.0	50.0	735	71.0	49.03	92.0	92.0	90.0	0.79	0.76	0.66	5.0	2.0	2.2	4.8613
280MX	2HS1 283-08	45.0	60.0	735	88.0	59.63	92.5	92.5	91.5	0.77	0.74	0.64	5.0	2.0	2.2	5.8335
315SX	2HS1 310-08	55.0	75.0	737	106.0	72.69	93.0	93.0	92.0	0.78	0.75	0.65	5.0	2.0	2.2	7.2611
315MX	2HS1 313-08	75.0	100.0	737	145.0	99.12	93.0	93.0	92.0	0.77	0.74	0.64	5.0	2.0	2.2	8.5948
315LX	2HS1 316-08	90.0	120.0	737	170.0	118.94	93.5	93.5	92.5	0.79	0.75	0.66	5.0	2.0	2.2	10.3731
315LX	2HS1 317-08	110.0	150.0	737	207.0	145.37	93.5	93.5	92.5	0.79	0.75	0.66	5.0	2.0	2.2	12.4477
355SX	2HS1 350-08	132.0	180.0	738	250.0	174.21	94.5	94.5	93.5	0.78	0.75	0.65	6.0	2.0	2.2	12.9372
355MX	2HS1 353-08	160.0	215.0	738	302.0	211.17	94.5	94.5	93.5	0.78	0.75	0.65	6.0	2.0	2.2	14.9276
355LX	2HS1 356-08	200.0	270.0	740	374.0	263.24	95.0	95.0	94.0	0.78	0.75	0.65	6.0	2.0	2.2	18.2448
355LX	2HS1 357-08	225.0	300.0	740	420.0	296.15	95.0	95.0	94.0	0.78	0.75	0.65	6.0	2.0	2.2	20.2352

All figures are subject to tolerance as per IS: 325.

FOOT MOUNTING (B3)



FLANGE MOUNTING (B5)



MECHANICAL DIMENSIONS

DIMENSIONS OF FOOT (B3) & FLANGE (B5) MOUNTED MOTORS

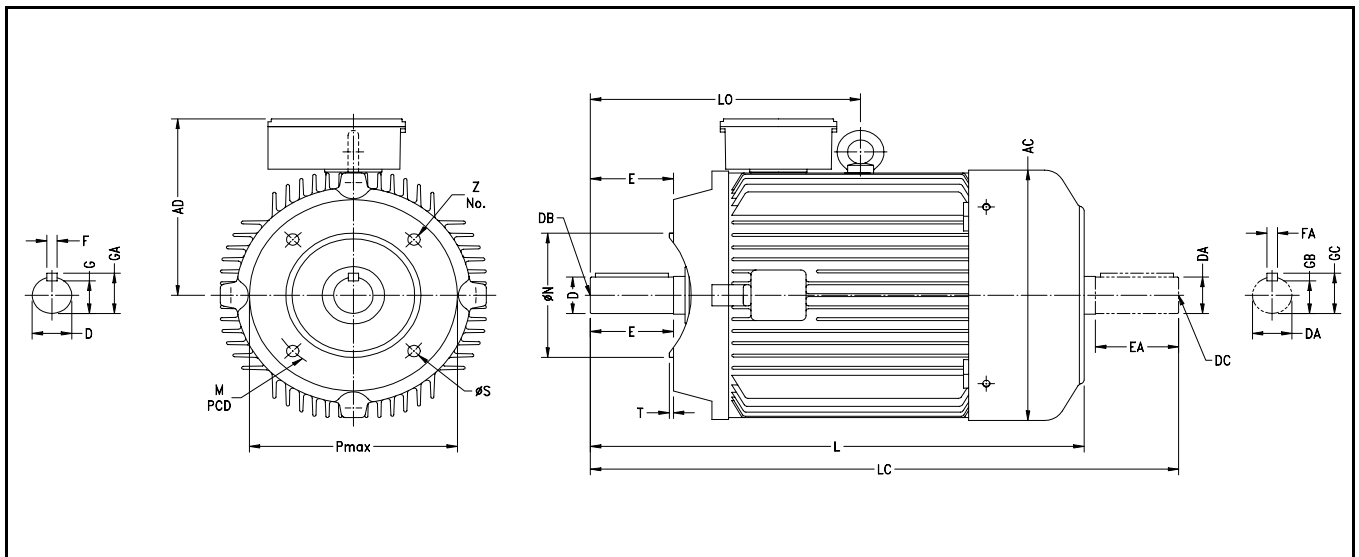
Frame Size	General					For foot mounted motors only (B3)											For flange mounted motors only (B5)							Drive End Shaft						Non drive End Shaft					
	L	LC	LO	AC	AD	A	B	C	H	K	AA	AB	BB	BA	HA	HD	P max	M PCD	øN	øS	Z No.	T max	LA	D	DB	E	F	GA	G	DA	DC	EA	FA	GC	GB
56	180	204	-	110	80	90	71	36	56	6	25	110	91	-	6	136	140	115	95	10	4	3	9	9	M4	20	3	10.2	7.2	9	M4	20	3	10.2	7.2
63	206	236	-	124	100	100	80	40	63	7	27	122	102	27	7	163	140	115	95	10	4	3	9	11		23	4	12.5	8.5	11		23	4	12.5	8.5
71	240	276	-	140	105	112	90	45	71	7	31	134	112	31	8	176	160	130	110	10	4	3.5	9	14	M5	30	5	16	11	14	M5	30	5	16	11
80	277	324	-	158	122	125	100	50	80	10	32	150	125	32	9	202	200	165	130	12	4	3.5	10	19	M6	40	6	21.5	15.5	19	M6	40	6	21.5	15.5
90S	297	354	-	180	129	140	100	56	90	10	33	168	124	32	10	219	200	165	130	12	4	3.5	10	24	M8	50	8	27	20	24	M8	50	8	27	20
90L	322	379					125						149																						
100L	366	433	-	198	152	160	140	63	100	12	43	200	180	46	14	252	250	215	180	15	4	4	11	28	M10	60	8	31	24	28	M10	60	8	31	24
112M	389	456	230	222	165	190	140	70	112	12	49	230	180	47	15	277	250	215	180	15	4	4	11	28		60	8	31	24	28		60	8	31	24
132S	437	524	257	262	185	216	140	89	132	12	52	256	180	48	16	317	300	265	230	15	4	4	12	38	M12	80	10	41	33	38	M12	80	10	41	33
132M	475	562	260				178						218																						
160M	576	693	354	311	211	254	210	108	160	15	64	304	260	60	20	371	350	300	250	19	4	5	13	42	M16	110	12	45	37	42	M16	110	12	45	37
160L	620	737					254						304																						
180M	643	760	381	336	233	279	241	121	180	15	65	335	297	101	24	413	350	300	250	19	4	5	13	48	M16	110	14	51.5	42.5	48	M16	110	14	51.5	42.5
180L	681	798					279						335																						
200L	760	880	416	395	276	318	305	133	200	19	84	386	365	74	26	476	400	350	300	19	4	5	15	55	M20	110	16	59	49	55	M20	110	16	59	49
225S	805	925	436	435	297	356	286	149	225	19	90	428	371	91	28	522	450	400	350	19	8	5	16	55		M20	110	16	59	49		55	M20	110	16
225M							311																												
225SX	835	985	466	435	297	356	286	149	225	19	90	428	371	91	28	522	450	400	350	19	8	5	16	60	M20	140	18	64	53	60	M20	140	18	64	53
225MX							311																												
250M	930	1080	524	485	382	406	349	168	250	24	105	490	433	93	38	632	550	500	450	24	8	5	18	60	M20	140	18	64	53	60	M20	140	18	64	53
250MX							65																					58	65						
280S	1030	1180	590	540	418	457	368	190	280	24	100	557	483	145	42	698	550	500	450	24	8	5	18	65	M20	140	18	69	58	65	M20	140	18	69	58
280M							419																												
280SX							368																												
280MX							419																												
315S	1155	1335	611	620	452	508	406	216	315	28	112	620	533	151	46	767	660	600	550	24	8	6	23	65	M20	140	18	69	58	65	M20	140	18	69	58
315M							457																												
315L	1325	1505	669	620	452	508	508	216	315	28	112	620	584	151	46	767	660	600	550	24	8	6	23	80	M20	170	22	85	71	80	M20	170	22	85	71
315SX							406																												
315MX	1185	1395	641	620	452	508	457	216	315	28	112	620	533	151	46	767	660	600	550	24	8	6	23	80	M20	170	22	85	71	80	M20	170	22	85	71
315LX							508																												
355S	1522	1707	778	700	586	610	500	254	355	28	122	730	760	270	50	941	800	740	680	24	8	6	26	75	M24	140	20	79.5	67.5	65	M24	140	18	69	58
355M							560																												
355L							630																												
355SX							500																												
355MX							560																												
355LX							630																												
355MX	95	170	25	100	86	85	M24	170	22	90	76																								
355LX																																			

Suffix "X" denotes motors other than 2 pole motors.

MECHANICAL DIMENSIONS

DIMENSIONS OF FACE MOUNTED MOTORS (B14)

Frame Size	L	LC	LO	AC	AD	P max	M PCD	øN	øS	Z No.	T	D, DA	DB, DC	E, EA	F, FA	GA, GC	G, GB
56	180	204	-	110	80	80	65	50	M5	4	2.5	9	M4	20	3	10.2	7.2
63	206	236	-	124	100	90	75	60	M5	4	2.5	11		23	4	12.5	8.5
71	240	276	-	140	105	105	85	70	M6	4	2.5	14	M5	30	5	16	11
80	277	324	-	158	122	120	100	80	M6	4	3	19	M6	40	6	22	16
90S	297	354	-	180	129	140	115	95	M8	4	3	24	M8	50	8	27	20
90L	322	379															
100L	366	433	-	198	152	160	130	110	M8	4	3.5	28	M10	60	8	31	24
112M	389	456	230	222	165	160	130	110	M8	4	3.5	28		60	8	31	24
132S	437	524	257	262	185	200	165	130	M12	4	3.5	38	M12	80	10	41	33
132M	475	562	260														



Admin. Office:

P.O. Box 18701, 32/A, Vidyavilla Comp., Old Nagardas Road,
Andheri (East), Mumbai - 400069.

Tel: 2838 0080, 2838 0081, 2836 0651, 2820 1316.

Fax: 022 - 2838 0947. Email: sales@hindmotors.com

Website: www.hindmotors.com

Works:

Plot No. 53/2, Street No. 7, M.I.D.C.,
Andheri (East), Mumbai - 400093.

Tel.: 2832 1819, 2832 2389, 2832 9103.

Authorised Dealer: